



TouchSystems

K 10" Industrial Chassis Design Open Frame Touch Monitor

Self-Service ■ Kiosk ■ Industrial ■ Public Spaces ■ Custom Mechanical ■ Manufacturing

Features

Rugged & Durable

Fully Customizable

Versatile
Mounting Design

Aluminum Alloy
Front Bezel

Ideal for industrial applications, the 10" Open Frame Touch Monitor from TouchSystems boasts a rugged metal chassis for protection and an industrial power plug to increase performance. The K 10" offers a high contrast color LCD display, plug and play compatibility, and flexible mechanical design.

Custom Mechanical Designs

Integrate this touch monitor into your custom design for a perfect fit, achieving results while complementing any environment.

Hospitality Kiosks

Minimize wait time with its easy to use, durable design while reinforcing brand awareness.

Industrial Manufacturing

Deliver reliable results by increasing accuracy and improving the flow of communication.

Public Spaces

Built to sustain the test of time, this touch monitor creates an ideal solution when incorporated into an interactive check-in or when placed in a welcome area.



K1092R-U

5-Wire Resistive

Contact Us

220 Tradesmen Dr.
Hutto, Texas 78634
1-800-320-5944

Sales@touchsystems.com
www.touchsystems.com

Specifications

Viewable Image Size	10.4"
Color	Silver
Pixel Pitch	0.264 mm
Brightness	250 cd/m2
Contrast Ratio	400:1
Viewing Angle	100° Vertical, 130° Horizontal
Response Time	25 ms
Aspect Ratio	4:3
Vertical Synchronization	75 Hz
Touch Screen (Fully Integrated)	5-Wire Resistive
Connectivity Interfaces	VGA (DB 15)
PC Compatibility (Touch Driver)	Windows 7, Vista, XP, 2000, Server 2003, 95, 98, ME, NT4, CE 2.12, 3.0, .Net (4.0, 5.0, 6.0); Linux (up to Kernel 2.6); MS DOS; iMac 9.0 / OS X (Power PC, Intel CPU); QNX
Display Resolution	800 x 600 @ 60 Hz
Voltage Rating	AC Input, 100-240V @ 50-60 HZ External Power Adaptor
Power Consumption	36 W
Dimensions (WxHxD)	265.5mm x 207.3mm x 46.0mm
VESA Hole Configuration	75mm x 75mm/100mm x 100 mm
Limited Warranty	1 Year Parts and Labor including Backlight
Standards	FCC C-UL, CE



TouchSystems

K 10" Industrial Chassis Design Open Frame Touch Monitor

Self-Service ■ Kiosk ■ Industrial ■ Public Spaces ■ Custom Mechanical ■ Manufacturing

Features

Rugged & Durable

Fully Customizable

Versatile
Mounting Design

Aluminum Alloy
Front Bezel



K1092R-U

5-Wire Resistive

Contact Us

220 Tradesmen Dr.

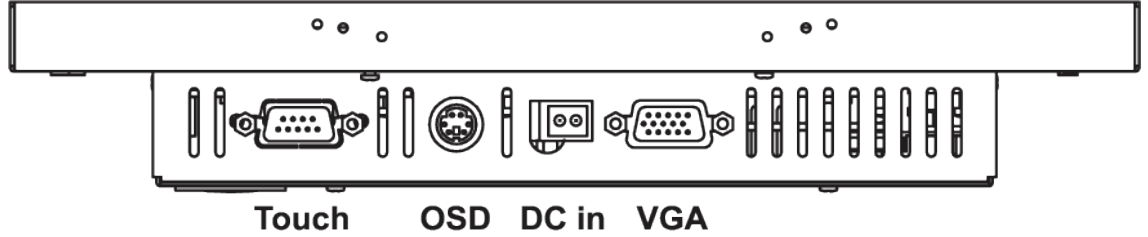
Hutto, Texas 78634

1-800-320-5944

Sales@touchsystems.com

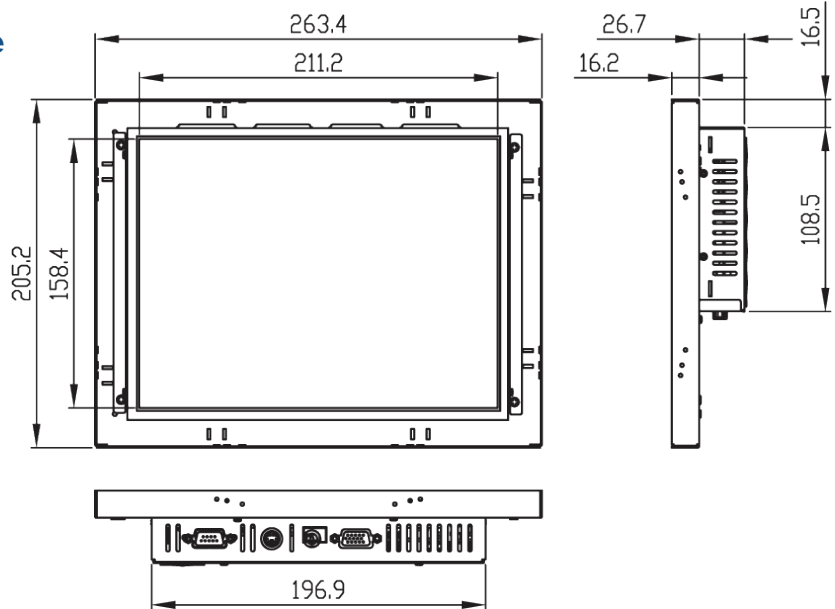
www.touchsystems.com

I/O Ports Drawing



Mechanical Drawings

Open Frame



With Chassis

