

V3230P-3-2

32" Multi-Touch Display



The V3230P-3-2 has 10 point multi-touch technology in a sleek and versatile design for many applications. The commercial-grade, LED-Lit display is also equipped with built-in speakers, OPS connectivity, and enhanced thermal and cooling system to make it the ideal touch display. For more information, call (512) 846-2424.

Specifications

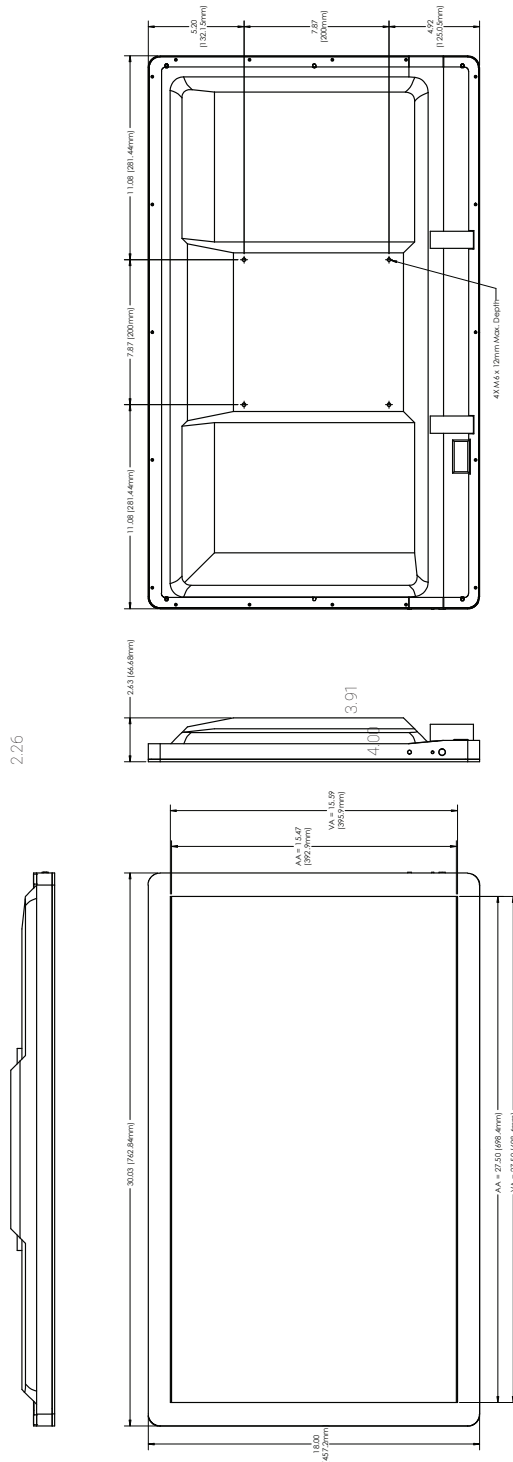
Panel	S-IPS
Viewable Image Size	27.61" x 15.59" (701.4 x 395.9mm)
Touch Technology	Projected Capacitive
Pixel Pitch	0.36375mm x 0.36375mm
Brightness	320 cd/m ² Typ. / 450 cd m ² Max.
Contrast Ratio	1300:1
Aspect Ratio	16:9
Resolution	1920 x 1080
Viewing Angle	178° Vertical, 178° Horizontal
Compatibility	PC, Mac, Linux, Andriod
Video Input	VGA, 15-pin D-sub, DVI-D, HDMI, DisplayPort
Power Consumption	53W On / <1W Standby
Operating Temperature	41-104F/5-40° C
Operating Humidity	20-80%
Dimensions (WxHxD)	30.03" x 18.00" x 2.63" (762.84 x 457.2mm x 66.68mm)
Weight	32.41 lbs. (14.70 kg.)
VESA Hole Configuration	200 x 200mm 4-hole (M6 x 12mm Max. Depth)
Warranty	3 years

AT A GLANCE

- Landscape or portrait
- HID Compliant
- OPS compatibility
- Kiosk mounting option

APPLICATIONS

- Retail
- Airports
- Restaurants



CONTACT

2222 W. Rundberg Ln. Suite 200
 Austin, TX 78758
 800.320.5944
 sales@touchsystems.com