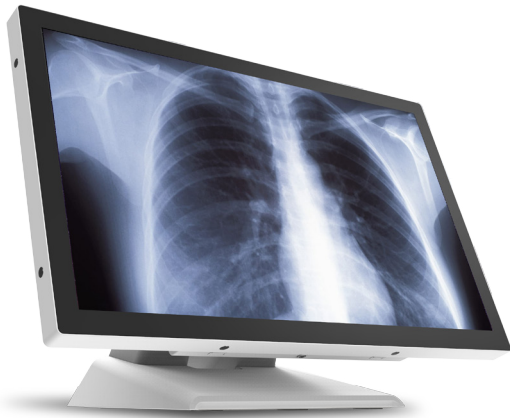




MED-PCAP-MON-22-TSI Medical Touch Monitor | 22"

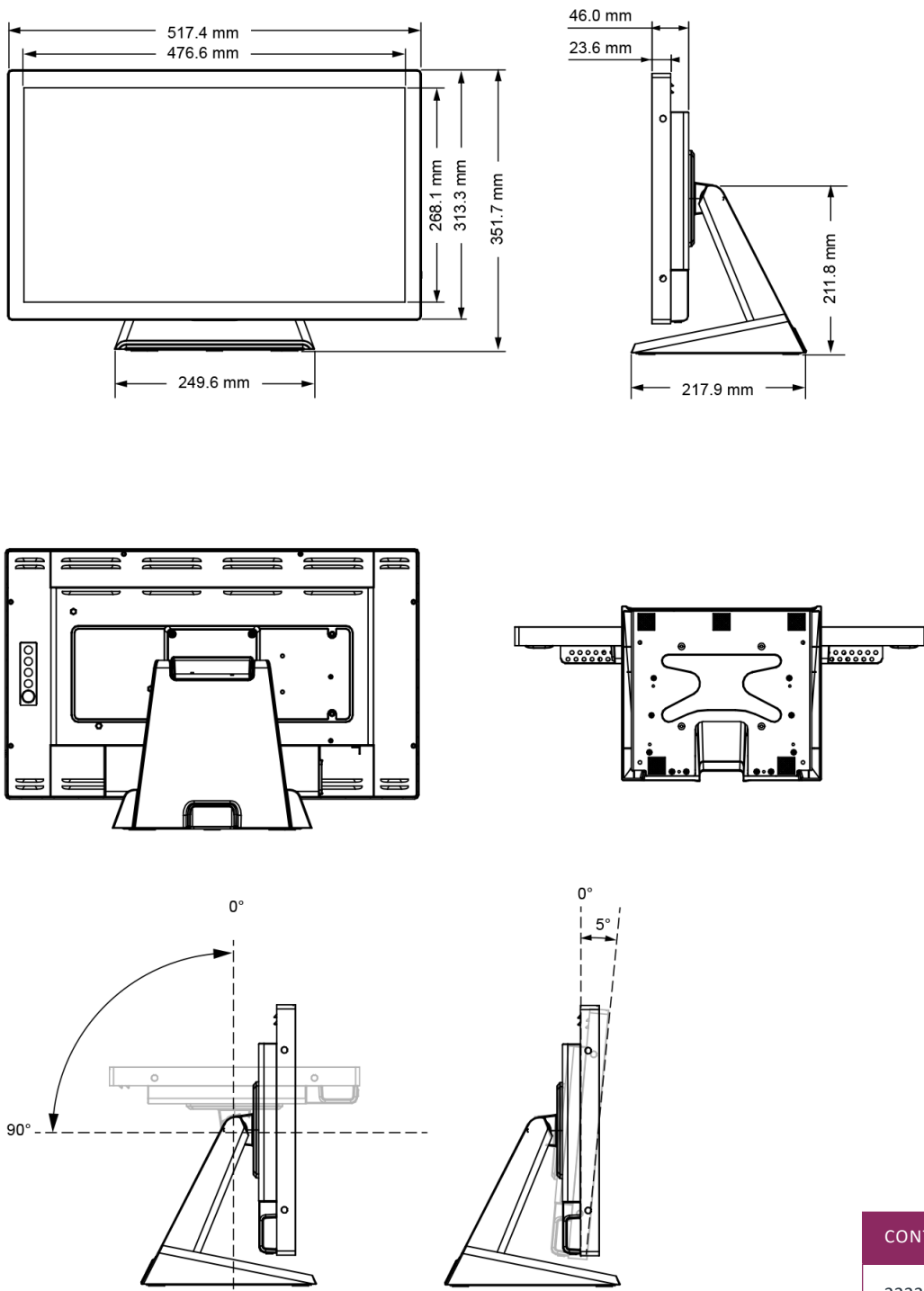


Specifications

Viewable Image Size	21.5"
Touch Technology	PCAP 10 pt
Touch Communication	USB-HID Type B
Brightness	300 cd/m ²
Contrast Ratio	1000 : 1
Viewing Angle	178° V / 178° H
Video Input	VGA, HDMI™, DisplayPort
Resolution	1920 x 1080
Color Temperature	5500K / 6500K / 7500K / 9300K / User Definition
Gamma Selection	Native / Gamma 1.8 / Gamma 2.2 / DICOM
Gamma LUT	10 bits
Scaling Mode	Full / 5:4 / 4:3 / 16:9 / 1:1
Power Supply	60 W Medical External Power Adapter
Compliance	IP54 Rated Front Panel
Operating Temperature	32 - 104°F / 0-40°C
Operating Humidity	20 - 80 % RH
Dimensions (WxHxD)	20.37" x 13.85" x 8.62"
Weight	17.20 lb
VESA Mount Configuration	100mm x 100mm
Certification	CE, CB, FCC, UL, CCC, RoHS, IEC60601-1-2 4th Edition Compliant
Warranty	3 years

Healthcare Technology at a Glance

- Precise image correction: ability for reproducing clear and vivid medical images
- Consistent color adjustments for specified medical modes Operating Room, MRI, CT, etc.
- Gamma precision adjustment capability for clear and detail diagnostic images
- Image signal process capability
- Image correction capability for extra surface treatments and functions: anti-glare, anti-bacteria, vandal Proof
- Multiple windows synchronization
- Steady image adjustments capabilities
- Consistent image quality with strict quality management
- TAA Compliant



CONTACT

2222 W Rundberg Lane 200
Austin, Texas 78758, USA
512.832.8292
sales@touchsystems.com