



COTS-PCAP-MON-22-TSI

Multi-Touch Monitor | 22"



The TouchSystems 22" 10-point multi-touch monitor is a slim and durable commercial-grade solution with rear VESA mount, USB-HID compatibility, and built-in stereo speakers. Full HD display features long-life LED backlight with vivid colors in portrait or landscape orientation.

For more information, call (512) 832-8292.

AT A GLANCE

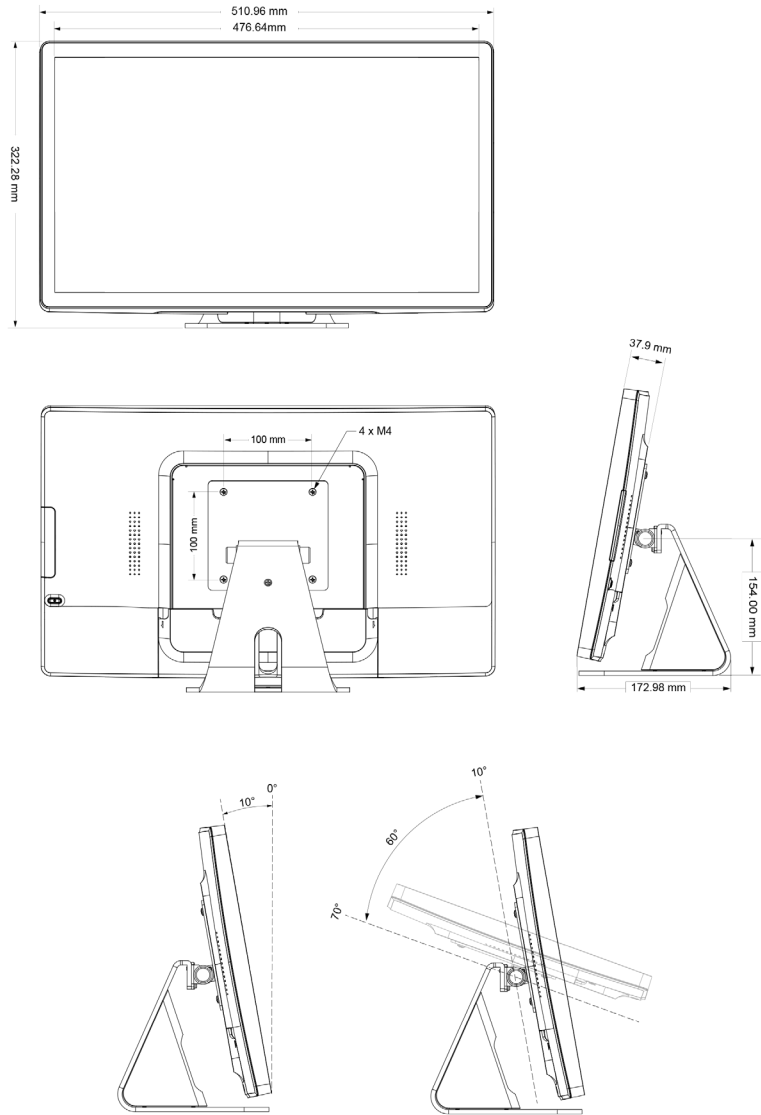
- Landscape or Portrait
- Slim Design
- Optional MSR
- 2 x 2W Stereo Speaker
- TAA Compliant

APPLICATIONS

- Retail
- Restaurant
- Automation
- Kiosk Integration

Specifications

Viewable Image Size	21.5"
Touch Technology	PCAP 10 pt
Touch Communication	USB-HID Type C
Brightness	225 cd/m ²
Contrast Ratio	1000 : 1
Aspect Ratio	16 : 9
Viewing Angle	178° V / 178° H
Resolution	1920 x 1080
Video Input	VGA, DisplayPort, HDMI™
Power Supply	50 W External AC Power Adapter
Operating Temperature	32 - 104°F / 0-40°C
Operating Humidity	20 - 80 % RH
Dimensions (WxHxD)	20.12" x 12.12" x 1.5"
Weight	8.91 lbs / with stand: 13.93 lbs
VESA Mount Configuration	100mm x 100mm
Certifications	CE, FCC, LVD, RoHS
Warranty	3 years
Mount or Stand	Optional



CONTACT

2222 W Rundberg Lane 200
Austin, Texas 78758, USA
512.832.8292
sales@touchsystems.com